

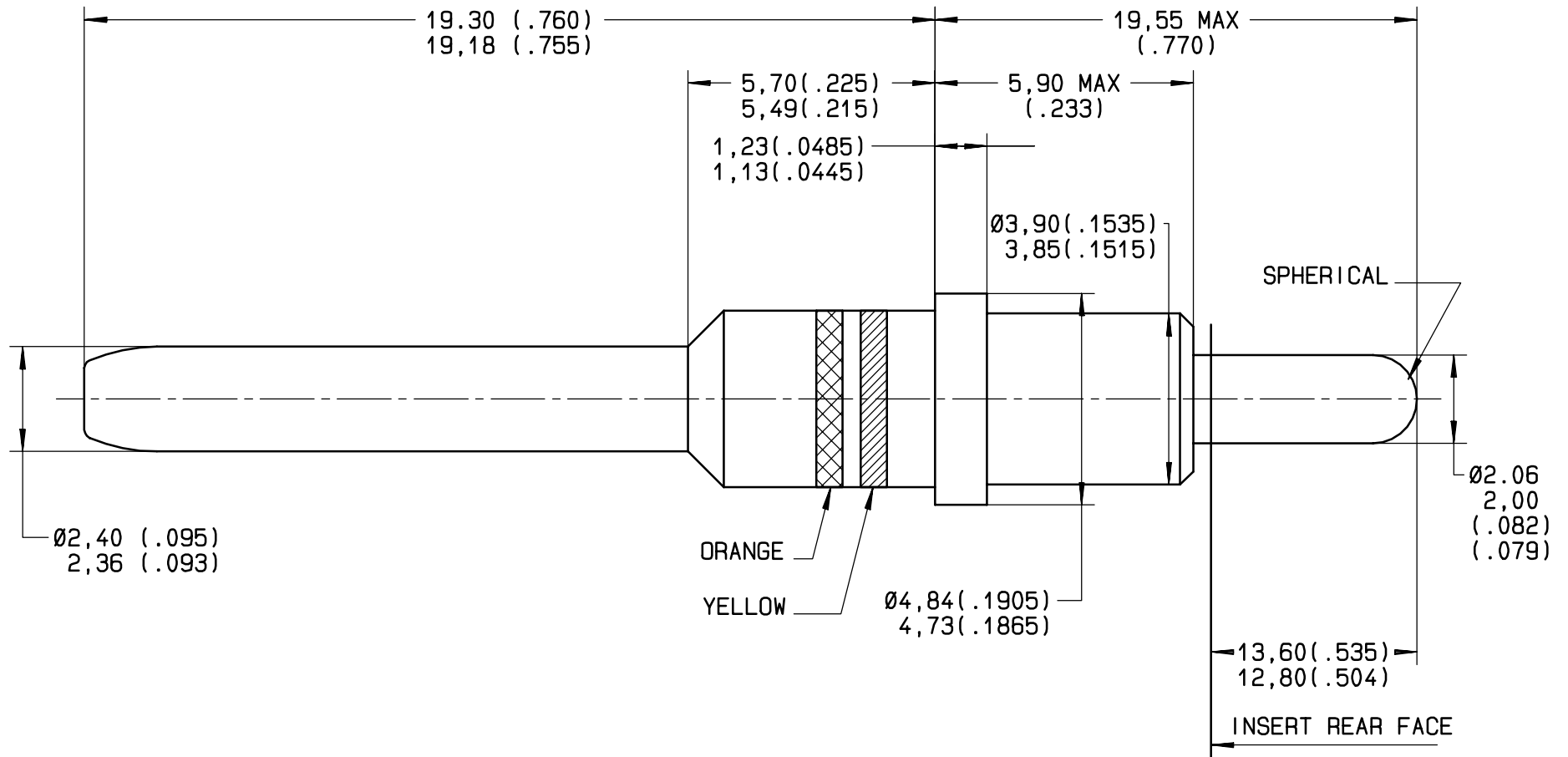


Series
NSX

SIZE 12 FRONT RELEASE. FRONT REMOVABLE
PC POST PIN CONTACT

Issue:
13 NOVEMBER 02

Page
1 / 1



***MATERIAL:**

- CONTACT: BRASS PER QQ-B-626

***FINISH:**

- CONTACT BODY: PLATING .00005 INCH OF GOLD PER MIL-G-45204 TYPE I OR II GRADE C OR D CLASS 1 OVER NICKEL PER QQ-N-290

***INSERTION/EXTRACTION TOOL:** 282549005

This information is given as an indication. In the continual goal to improve our products, we reserve the right to make any modifications judged necessary.

4112-9610

CREATION
PEN: M990104421A
NOM: MACARI
DATE: 20/07/99
APPR.: JACOB	13 NOV 02	19,55 MAX (.770) WAS 20,00 MAX (.787)	COUTHON	VALGRESY
	Issue	Revisions	Name	Approved